

INSTALLATION MANUAL

13601

Level of Difficulty

Easy

Installation difficulty levels are based on time and effort involved and may vary depending on the installer level of expertise, condition of the vehicle and proper tools and equipment.

Weight Carrying Capacity

Gross trailer weight (GTW)	4,000 lbs.
Tongue weight (TW)	400 lbs.

Parts List

Item	Qty	Description
1	1	Trailer hitch
2	4	Hex bolt, M12
3	4	Conical-toothed washer, 1/2"

Tools Required

Ratchet	Torque wrench
Socket, 19mm	Wire brush
Socket extension, 6"	--

* For a tools reference guide visit curtmfg.com/trailer-hitch-installation

⚠ WARNING

Never exceed the vehicle manufacturer's recommended towing capacity.

Product Photo



NOTICE

Visit www.curtmfg.com for a full-color copy of this instruction manual, as well as helpful videos, guides and much more!

Before you begin installation, read all instructions thoroughly.

Proper tools will improve the quality of installation and reduce the time required.

Periodic inspection of the trailer hitch should be performed to ensure all mounting hardware remains tight and structural components are secure.

To help prevent damage to the product or vehicle, refer to the specified torque specifications when securing hardware during the installation process.

SAFETY INSTRUCTIONS

Safety glasses should be worn at all times while installing this product.

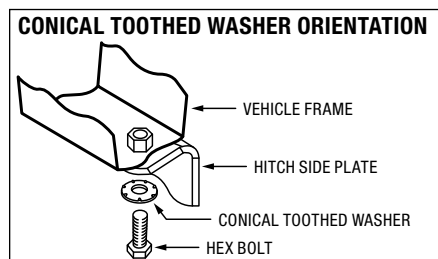
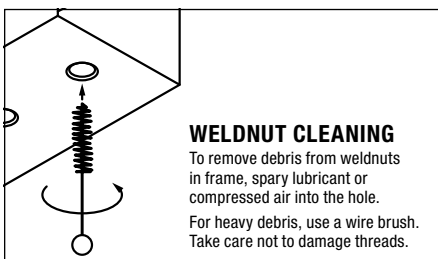
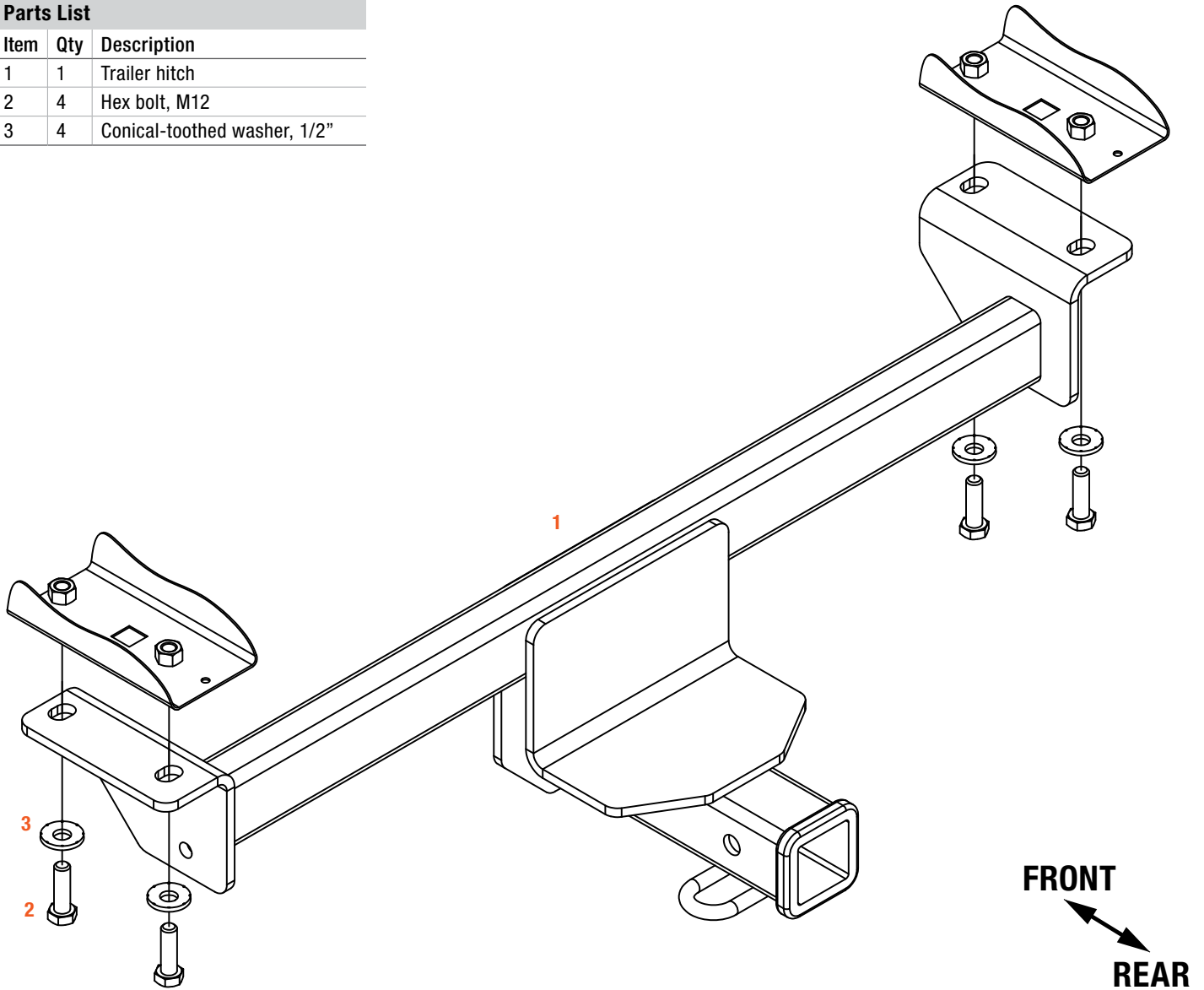
Product Registration and Warranty

CURT stands behind our products with industry-leading warranties. To get copies of the product warranties, register your purchase or provide feedback, visit: warranty.curtgroup.com/surveys

ASSEMBLY

Parts List

Item	Qty	Description
1	1	Trailer hitch
2	4	Hex bolt, M12
3	4	Conical-toothed washer, 1/2"



Step 1

Prep vehicle by cleaning M12 weldnuts on the bottom of the frame rails with a wire brush.

Step 2

Raise the hitch (#1) into position and loosely secure with M12 hex bolts (#2) and conical-toothed washers (#3).

Step 3

Torque M12 bolts to 86 ft-lbs.

TOWING BASICS & SAFETY INFORMATION

For information on safely towing your trailer, visit curtmfg.com/understanding-towing.
